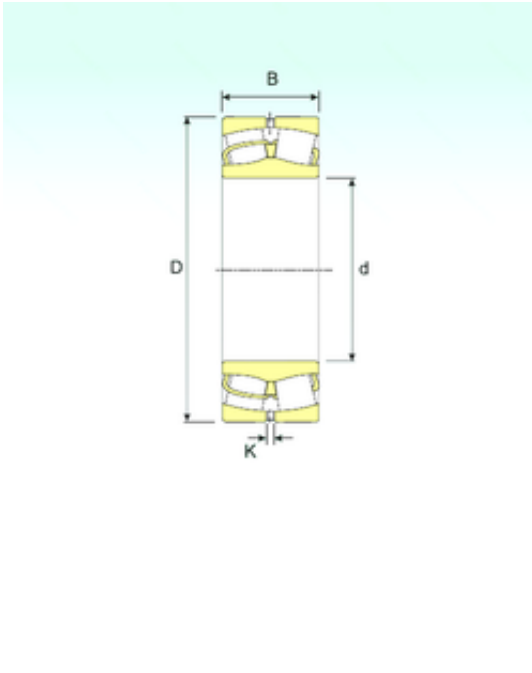




FML ske Manufacturing Co., Ltd



23992 Bearing 2D drawings and 3D CAD models

460 mm x 620 mm x 118 mm ISB 23992
spherical roller bearings

Bearing No. 23992

Size	460x620x118 mm
Bore Diameter	460 mm
Outer Diameter	620 mm
Width	118 mm
d	460 mm
D	620 mm
B	118 mm
C	118 mm
K	9 mm
Weight	105 Kg
Basic dynamic load rating (C)	2450 kN
Basic static load rating (C0)	4900 kN
(Grease) Lubrication Speed	765 r/min