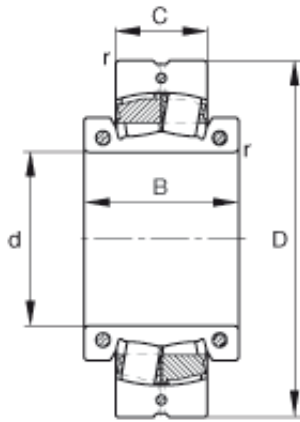




# FML ske Manufacturing Co., Ltd



## 3 7/16 inch x 180 mm x 76 mm FAG 222S.307-MA spherical roller bearings

Bearing No. 222S.307-MA

222S.307-MA Bearing 2D drawings and 3D CAD models

Size	87.313x180x46 mm
Bore Diameter	87,313 mm
Outer Diameter	180 mm
Width	46 mm
d	87,313 mm
d	3 7/16 inch
D	180 mm
C	46 mm
B	76 mm
r <sub>min</sub>	2,1 mm
m	6,98 kg / Weight
C <sub>r</sub>	260000 N / Dynamic load rating (radial)
e	0,23
Y <sub>1</sub>	2,9
Y <sub>2</sub>	4,31
C <sub>0r</sub>	320000 N / Static load rating (radial)
Y <sub>0</sub>	2,83
n <sub>G</sub>	1820 1/min / Limiting speed
C <sub>ur</sub>	28500 N / Fatigue limit load, radial
F <sub>a max</sub>	7600 N / Permissible axial load, for inner ring without axial abutment
M <sub>i</sub>	14 Nm / Tightening torque



## FML ske Manufacturing Co., Ltd

	per clamping screw
$M_a$	14 Nm / Tightening torque per clamping screw
	22220K / Designation, spherical roller bearing, unsplit
	H320.307
SNW20.307	Designation, adapter sleeve, US design
SNV180	Designation, plummer block housing