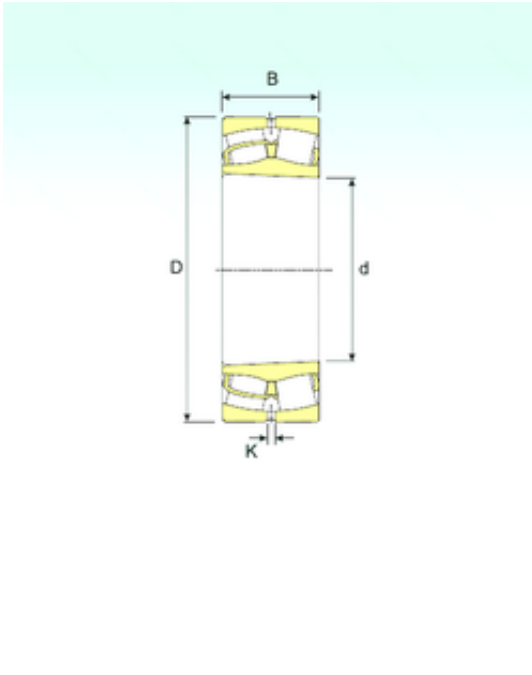




FML ske Manufacturing Co., Ltd



23938 K Bearing 2D drawings and 3D CAD models

190 mm x 260 mm x 52 mm ISB 23938 K
spherical roller bearings

Bearing No. 23938 K

Size	190x260x52 mm
Bore Diameter	190 mm
Outer Diameter	260 mm
Width	52 mm
d	190 mm
D	260 mm
B	52 mm
C	52 mm
K	3 mm
Weight	8,3 Kg
Basic dynamic load rating (C)	406 kN
Basic static load rating (C0)	784 kN
(Grease) Lubrication Speed	1989 r/min