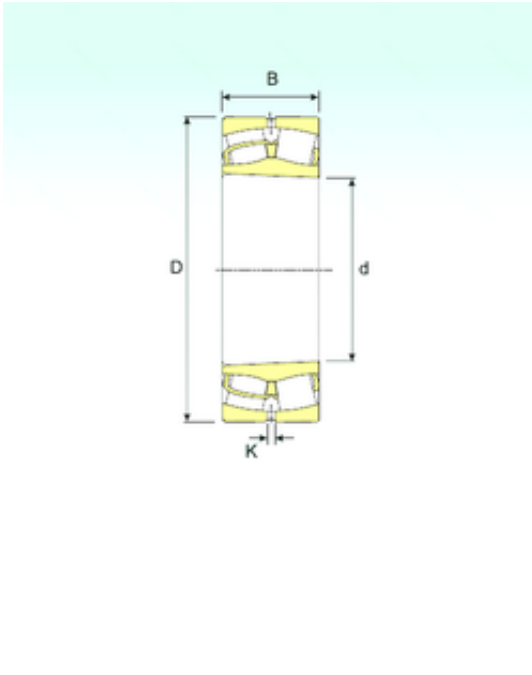




FML ske Manufacturing Co., Ltd



22336 K Bearing 2D drawings and 3D CAD models

180 mm x 380 mm x 126 mm ISB 22336 K
spherical roller bearings

Bearing No. 22336 K

Size	180x380x126 mm
Bore Diameter	180 mm
Outer Diameter	380 mm
Width	126 mm
d	180 mm
D	380 mm
B	126 mm
C	126 mm
K	9 mm
Weight	71,5 Kg
Basic dynamic load rating (C)	1960 kN
Basic static load rating (C0)	2401 kN
(Grease) Lubrication Speed	1300,5 r/min