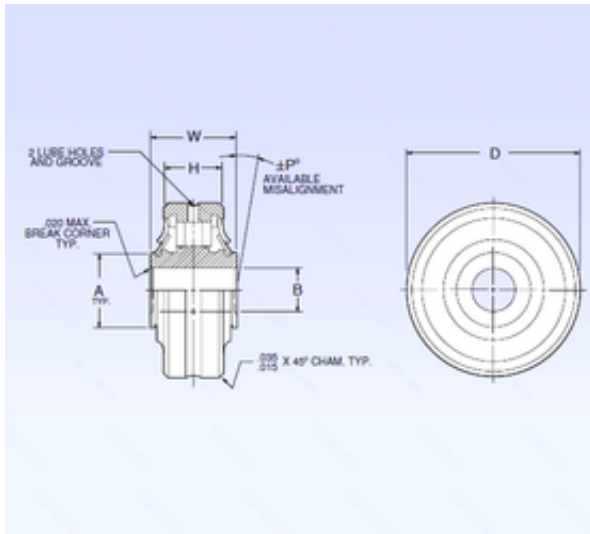




# FML ske Manufacturing Co., Ltd



7,9375 mm x 31,75 mm x 7,9375 mm NMB  
ASR5-1 spherical roller bearings

Bearing No. ASR5-1

Size	7.9375x31.75x14.935 mm
Bore Diameter	7,9375 mm
Outer Diameter	31,75 mm
Width	14,935 mm
d	7,9375 mm
D	31,75 mm
B	14,935 mm
C	9,525 mm
P	10 mm
A	13,97 mm
B	7,9375 mm
H	9,525 mm
W	14,935 mm

ASR5-1 Bearing 2D drawings and 3D CAD models