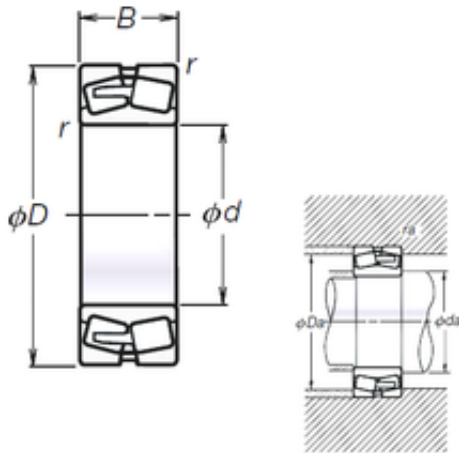




# FML ske Manufacturing Co., Ltd



280 mm x 460 mm x 146 mm NSK  
TL23156CAE4 spherical roller bearings

Bearing No. TL23156CAE4

TL23156CAE4 Bearing 2D drawings and 3D CAD models

Size	280x460x146 mm
Bore Diameter	280 mm
Outer Diameter	460 mm
Width	146 mm
d	280 mm
D	460 mm
B	146 mm
C	146 mm
r min.	5 mm
da min.	302 mm
Da min	438 mm
Da max.	400 mm
ra max.	4 mm
Weight	94,3 Kg
Basic dynamic load rating (C)	2230 kN
Basic static load rating (C0)	4000 kN
(Grease) Lubrication Speed	560 r/min
(Oil) Lubrication Speed	750 r/min
Calculation factor (e)	0,3
Calculation factor (Y0)	2,2
Calculation factor (Y2)	3,3