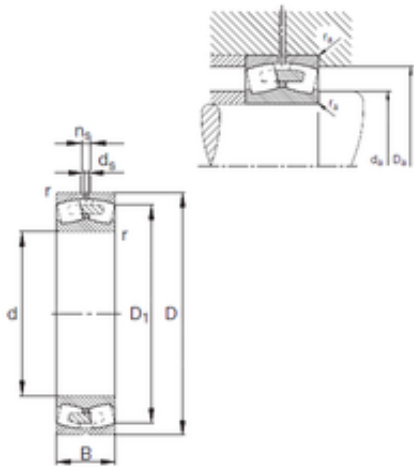




FML ske Manufacturing Co., Ltd

530 mm x 870 mm x 272 mm FAG 231/530-E1A-MB1 spherical roller bearings



Bearing No. 231/530-E1A-MB1

Size	530x870x272 mm
Bore Diameter	530 mm
Outer Diameter	870 mm
Width	272 mm
d	530 mm
D	870 mm
B	272 mm
C	272 mm
n	23,5 mm
r min.	7,5 mm
D1	760,5 mm
da min.	562 mm
Da max.	838 mm
ra max.	6 mm
d5	12,5 r/min
Weight	648 Kg
Basic dynamic load rating (C)	8900 kN
Basic static load rating (C0)	15000 kN
Fatigue load limit (Pu)	940
Reference speed	330 r/min
Limiting speed	780 r/min
Calculation factor (e)	0,3
Calculation factor (Y0)	2,2
Calculation factor (Y1)	2,25
Calculation factor (Y2)	3,34

231/530-E1A-MB1 Bearing 2D drawings and 3D CAD models



FML ske Manufacturing Co., Ltd