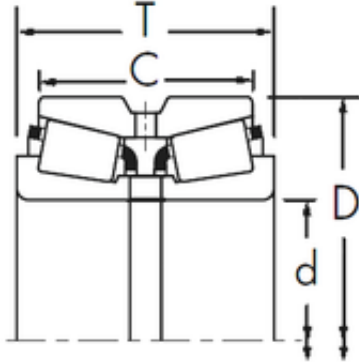




# FML ske Manufacturing Co., Ltd

## Timken 74537/74851CD+X1S-74537 tapered roller bearings

Bearing No. 74537/74851CD+X1S-74537



Size	136.525x215.9x106.362 mm
Bore Diameter	136,525 mm
Outer Diameter	215,9 mm
Width	106,362 mm
d	136,525 mm
D	215,9 mm
T	106,362 mm
C	80,962 mm
R	3,5 mm
r	1,5 mm

74537/74851CD+X1S-74537 Bearing 2D drawings and 3D CAD models