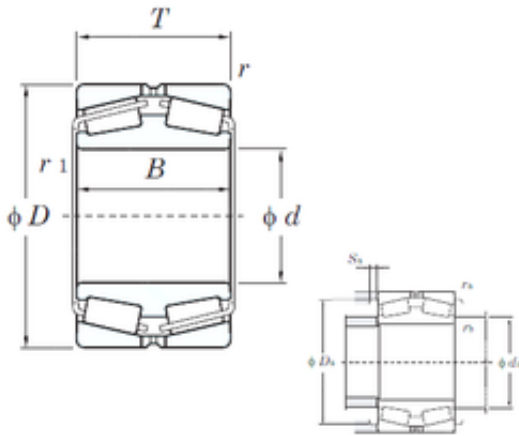




# FML ske Manufacturing Co., Ltd

440 mm x 720 mm x 226 mm KOYO 45388 tapered roller bearings



Bearing No. 45388

45388 Bearing 2D drawings and 3D CAD models

Size	440x720x226 mm
Bore Diameter	440 mm
Outer Diameter	720 mm
Width	226 mm
d	440 mm
D	720 mm
T	226 mm
B	226 mm
r min.	6 mm
r1 min.	6 mm
da max	506 mm
Db min.	642 mm
ra max.	5 mm
rb max.	5 mm
Db max	692 mm
Weight	367 Kg
Basic dynamic load rating (C)	4990 kN
Basic static load rating (C0)	9130 kN
(Grease) Lubrication Speed	270 r/min
(Oil) Lubrication Speed	360 r/min
Calculation factor (e)	0,39
Calculation factor (Y0)	1,7
Bearing No.	45388
r(min)	6
r1(min)	6



## FML ske Manufacturing Co., Ltd

Cr	5750
C0r	9130
Cu	417
Grease lub.	270
Oil lub.	360
da(max)	506
Da(max)	692
Da(min)	642
Sa(min)	7
ra(max)	5
rb(max)	5
e	0.39
Y2	1.74
Y3	2.59
Y0	1.70
(Refer.) Mass(kg)	367