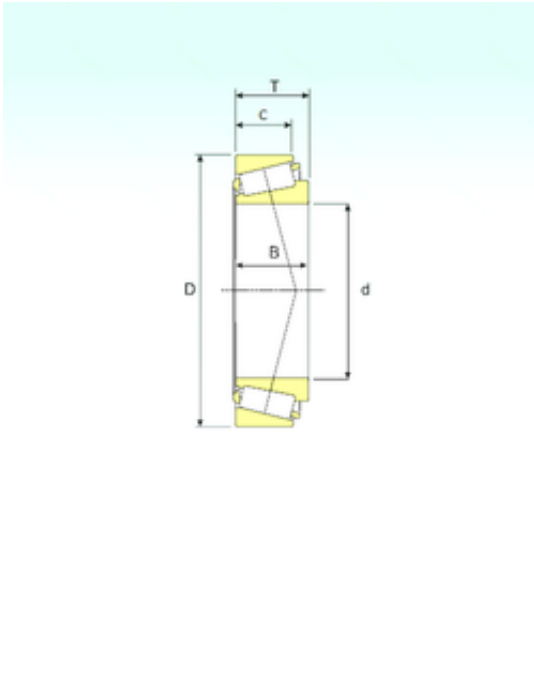




# FML ske Manufacturing Co., Ltd



387A/382A Bearing 2D drawings and 3D CAD models

57,15 mm x 96,838 mm x 21,946 mm ISB  
387A/382A tapered roller bearings

Bearing No. 387A/382A

Size	57.15x96.838x21 mm
Bore Diameter	57,15 mm
Outer Diameter	96,838 mm
Width	21 mm
d	57,15 mm
D	96,838 mm
T	21 mm
B	21,946 mm
C	15,875 mm
Weight	0,59 Kg
Basic dynamic load rating (C)	79 kN
Basic static load rating (C0)	99 kN
(Grease) Lubrication Speed	5400 r/min