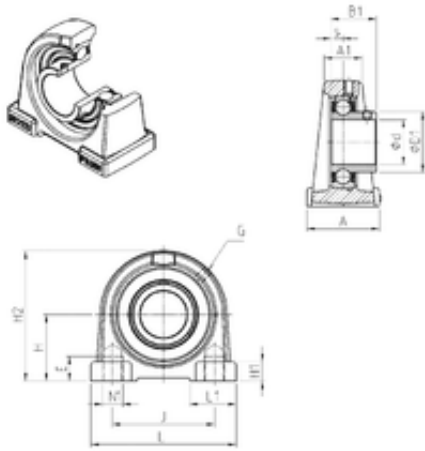




# FML ske Manufacturing Co., Ltd



## SNR USPAE204 bearing units

Bearing No. USPAE204

Bore Diameter	20 mm
d	20 mm
s	7 mm
A	32 mm
A1	19 mm
B1	25 mm
D1	29 mm
E	10 mm
H	33,3 mm
H1	9 mm
H2	64 mm
J	50,8 mm
L	65 mm
L1	18 mm
Thread (G)	R1/8"
Thread (N1)	M8
Weight	0,4 Kg
Basic dynamic load rating (C)	12,8 kN

USPAE204 Bearing 2D drawings and 3D CAD models