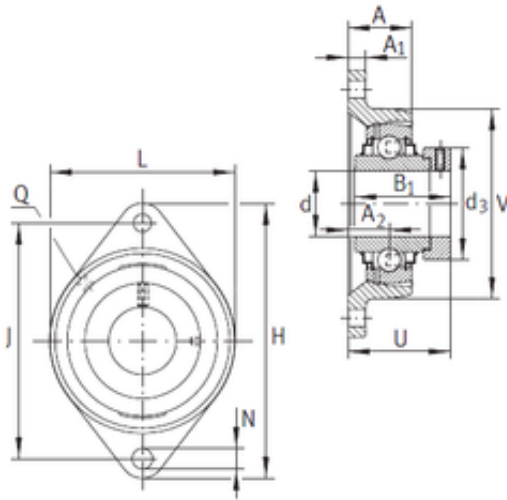




FML ske Manufacturing Co., Ltd

INA RCJT30-N-FA125 bearing units



Bearing No. RCJT30-N-FA125

| | |
|-------------------------------|------------------|
| Bore Diameter | 30 mm |
| d | 30 mm |
| V | 80 mm |
| U | 50,2 mm |
| Thread (Q) | Rp1/8 |
| d3 | 44 mm |
| A | 29 mm |
| A1 | 12 mm |
| B1 | 48,5 mm |
| H | 142 mm |
| J | 116,5 mm |
| L | 80 mm |
| N | 11,5 mm |
| A2 | 20 mm |
| Weight | 0,88 Kg |
| Basic dynamic load rating (C) | 19,5 kN |
| Category | Bearings |
| Inventory | 0.0 |
| Manufacturer Name | SCHAEFFLER GROUP |
| Minimum Buy Quantity | N/A |
| Weight / Kilogram | 0.88 |
| Product Group | M06110 |

RCJT30-N-FA125 Bearing 2D drawings and 3D CAD models