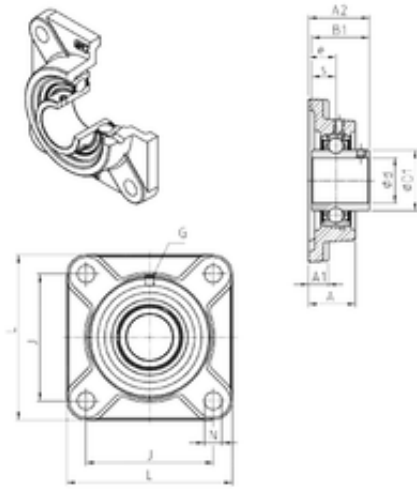




FML ske Manufacturing Co., Ltd



SNR UCF217 bearing units

Bearing No. UCF217

| | |
|-------------------------------|----------|
| Bore Diameter | 85 mm |
| d | 85 mm |
| e | 36 mm |
| s | 34,1 mm |
| A | 63 mm |
| A1 | 24 mm |
| B1 | 85,7 mm |
| D1 | 105,1 mm |
| J | 175 mm |
| L | 220 mm |
| N | 23 mm |
| Thread (G) | M10x1 |
| A2 | 87,6 mm |
| Weight | 8,8 Kg |
| Basic dynamic load rating (C) | 83,2 kN |

UCF217 Bearing 2D drawings and 3D CAD models