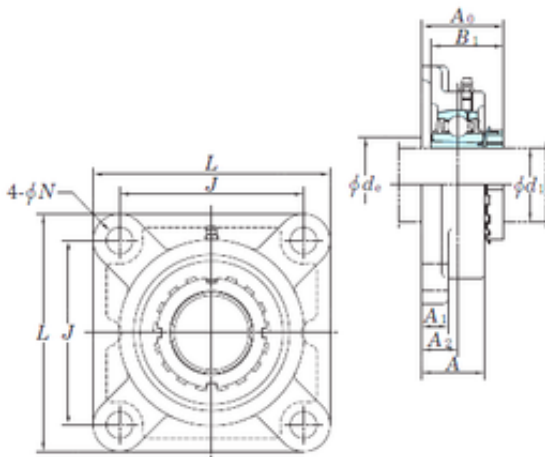




FML ske Manufacturing Co., Ltd

KOYO UKFX09 bearing units

Bearing No. UKFX09



UKFX09 Bearing 2D drawings and 3D CAD models

Bore Diameter	41,275 mm
d	41,275 mm
A0	48,5 mm
d3	52 mm
A	40 mm
A1	14 mm
B1	50 mm
J	111 mm
L	143 mm
N	19 mm
Thread (G)	M16
A2	23 mm
Weight	2,7 Kg
Basic dynamic load rating (C)	35,1 kN
Basic static load rating (C0)	23,3 kN