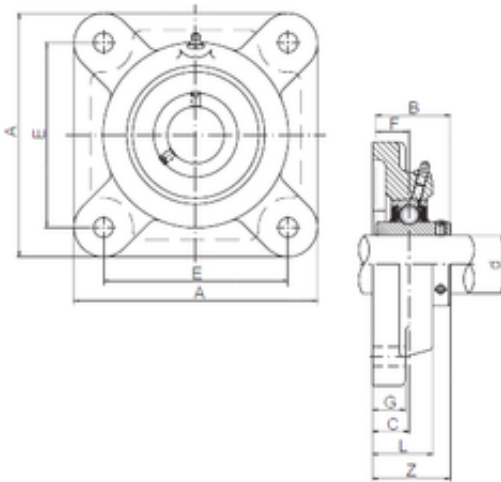




# FML ske Manufacturing Co., Ltd



## ISO UCF216 bearing units

Bearing No. UCF216

Bore Diameter	80 mm
Width	82,6 mm
d	80 mm
Z	83,3 mm
A	208 mm
B	82,6 mm
C	34 mm
E	165 mm
F	33,3 mm
G	22 mm
L	58 mm
S	23 mm
Bolt (G)	M20

UCF216 Bearing 2D drawings and 3D CAD models