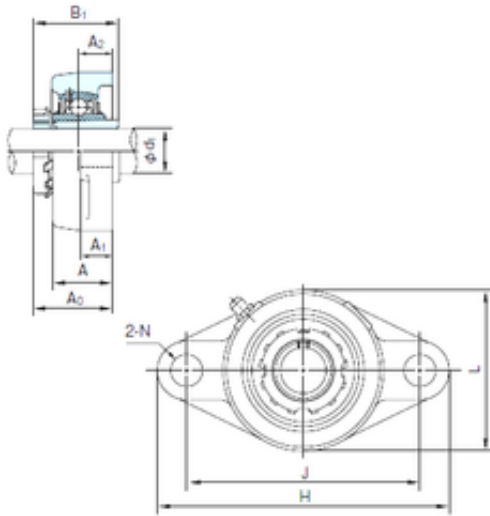




FML ske Manufacturing Co., Ltd



NACHI UKFL209+H2309 bearing units

Bearing No. UKFL209+H2309

Bore Diameter	40 mm
d1	40 mm
A0	48 mm
A	38 mm
A1	18 mm
B1	50 mm
H	188 mm
J	148 mm
L	108 mm
L1	113 mm
N	19 mm
Bolt (G)	M16
A2	22 mm

UKFL209+H2309 Bearing 2D drawings and 3D CAD models