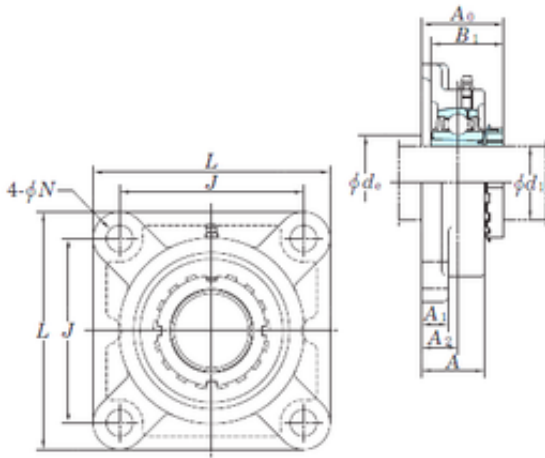


KOYO UKF320 bearing units

Bearing No. UKF320



Bore Diameter	90 mm
d	90 mm
A0	113 mm
A	94 mm
A1	32 mm
B1	97 mm
J	242 mm
L	310 mm
N	38 mm
Thread (G)	M33
A2	59 mm
Weight	25,4 Kg
Basic dynamic load rating (C)	173 kN
Basic static load rating (C0)	141 kN

UKF320 Bearing 2D drawings and 3D CAD models