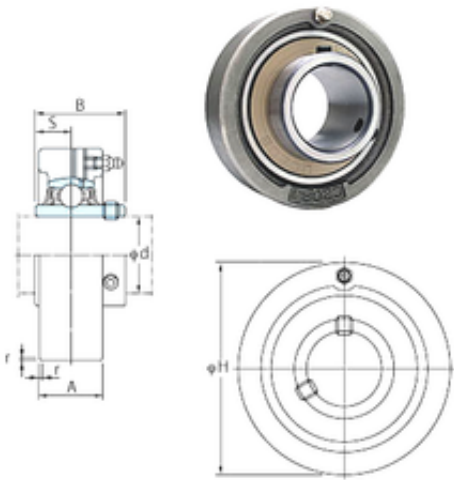




# FML ske Manufacturing Co., Ltd

## FYH UCCX11 bearing units

Bearing No. UCCX11



UCCX11 Bearing 2D drawings and 3D CAD models

Bore Diameter	55 mm
Width	65,1 mm
d	55 mm
r	2,5 mm
A	42 mm
B	65,1 mm
H	150 mm
S	25,4 mm
Weight	4 Kg
Basic dynamic load rating (C)	52,4 kN
Basic static load rating (C0)	36,2 kN