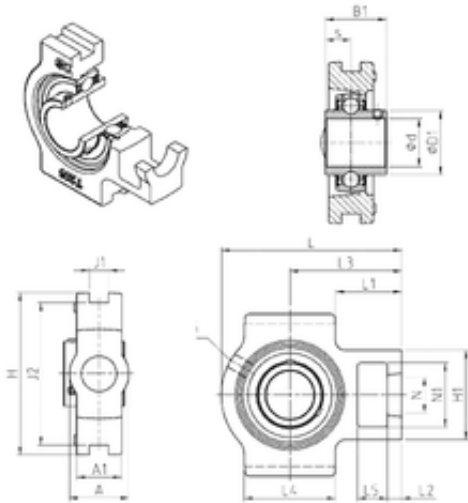




FML ske Manufacturing Co., Ltd



SNR UCT312 bearing units

Bearing No. UCT312

Bore Diameter	60 mm
d	60 mm
L4	123 mm
L5	31 mm
L2	25 mm
L3	135 mm
s	26 mm
A	71 mm
A1	46 mm
B1	71 mm
D1	81 mm
H	178 mm
H1	113 mm
L	220 mm
L1	73,5 mm
N	41 mm
N1	71 mm
Thread (G)	M6x1
J1	22 mm
J2	160 mm
Weight	7,6 Kg
Basic dynamic load rating (C)	81,6 kN
A2	46 mm
B	71 mm
A5	45 mm
G	M6x1

UCT312 Bearing 2D drawings and 3D CAD models



FML ske Manufacturing Co., Ltd

H2	113 mm
N2	71 mm
s1	35.5 mm
S	26 mm
SW	6 mm
C	81.6 kN
C0	51.8 kN
T min.	-20 ° C
T max.	100 ° C
Recommended tightening torque for set screw	33 Nm
Designation of housing	T312-
Designation of bearing	UC312G2