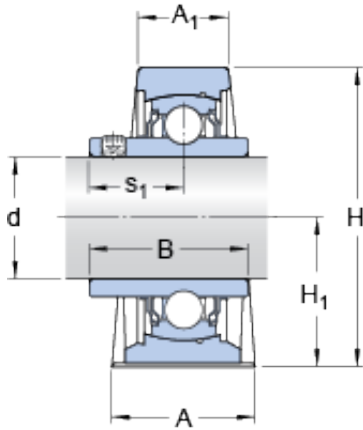




FML ske Manufacturing Co., Ltd



SY 25 TF/VA228 Bearing 2D drawings and 3D CAD models

SKF SY 25 TF/VA228 bearing units

Bearing No. SY 25 TF/VA228

Size	36x25x23 mm
Bore Diameter	36 mm
Outer Diameter	25 mm
Width	23 mm
d	25 mm
A	36 mm
A ₁	23 mm
H	70 mm
H ₁	36.5 mm
H ₂	16 mm
L	130 mm
J	102 mm
H	19.5 mm
N ₁	11.5 mm
B	34.1 mm
s ₁	19.8 mm
Basic dynamic load rating - C	14 kN
Basic static load rating - C ₀	7.8 kN
Limiting speed	230 r/min
Limiting temperature - T	350 ° C
Mass bearing unit	0.73 kg
Grub (set) screw - G ₂	M6x0.75
Hexagonal key size for grub screw - H	3 mm
Recommended tightening	4 N · m



FML ske Manufacturing Co., Ltd

torque for grub screw	
Category	Pillow Block Bearings
Inventory	0.0
Manufacturer Name	SKF
Minimum Buy Quantity	N/A
Weight / Kilogram	0.72
EAN	7316571382340
Product Group	M06110
Number of Mounting Holes	2
Mounting Method	Set Screw
Housing Style	2 Bolt Pillow Block
Rolling Element	Ball Bearing
Housing Material	Cast Iron
Expansion / Non-expansion	Non-expansion
Mounting Bolts	10 Millimeter
Relubricatable	Yes
Insert Part Number	YAR 205-2F/VA228
Seals	M Seal
Housing Configuration	1 Piece Solid
Inch - Metric	Metric
Other Features	Single Row Standard Duty Wide Inner Race High Temperature Bearing with Graphite Y Bearing Has Flinger
Long Description	2 Bolt Pillow Block; 25MM Bore; 36.5MM Base to Center Height; Set Screw Mount; Ball Bearing; Relubricatable; Cast Iron; M Seal; Non-expansion
Category	Pillow Block
UNSPSC	31171511
Harmonized Tariff Code	8483.20.40.40
Noun	Bearing



FML ske Manufacturing Co., Ltd

Keyword String	Pillow Block
Manufacturer URL	http://www.skf.com
Manufacturer Item Number	SY 25 TF/VA228
Weight / LBS	1.59
Nominal Bolt Center to Center	4.1 Inch 105 Millimeter
Actual Bolt Center to Center	4 Inch 102 Millimeter
Bore	0.984 Inch 25 Millimeter
Base to Center Height	1.437 Inch 36.5 Millimeter
Length Thru Bore	1.343 Inch 34.1 Millimeter
Bolt Spacing Minimum	0 Inch 0 Millimeter
Bolt Spacing Maximum	0 Inch 0 Millimeter
mounting:	Two-Bolt Base
overall height:	70 mm
bore diameter:	25 mm
finish/coating:	Uncoated
bore type:	Round
radial static load capacity:	7.8 kN
base to bore centerline:	1.4370 in
base width:	36 mm
housing material:	Cast Iron
bolt center-to-center length:	102 mm
locking device:	Set Screw
lubrication type:	Lubrication Fitting
expansion type:	Non-Expansion Bearing (Fixed)
series:	SY
overall length:	130 mm
standards met:	ISO
A ₁	23 mm
H ₁	36.5 mm
H ₂	16 mm



FML ske Manufacturing Co., Ltd

N	19.5 mm
N ₁	11.5 mm
s ₁	19.8 mm
Basic dynamic load rating C	14 kN
Basic static load rating C ₀	7.8 kN
Limiting temperature T max.	350 ° C
Grub (set) screw G ₂	M6x0.75
Hexagonal key size for grub screw N	3 mm
Attachment bolts, recommended metric size G	10 mm
Bearing	YAR 205-2FW/VA228