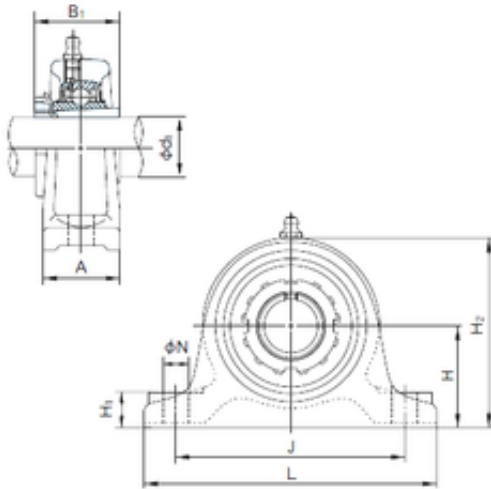




FML ske Manufacturing Co., Ltd

NACHI UKIP322+H2322 bearing units



Bearing No. UKIP322+H2322

Bore Diameter	100 mm
Width	170 mm
d	100 mm
A	100 mm
B1	105 mm
H	170 mm
H1	50 mm
H2	335 mm
J	410 mm
L	490 mm
N	32 mm
Bolt (G)	M27

UKIP322+H2322 Bearing 2D drawings and 3D CAD models