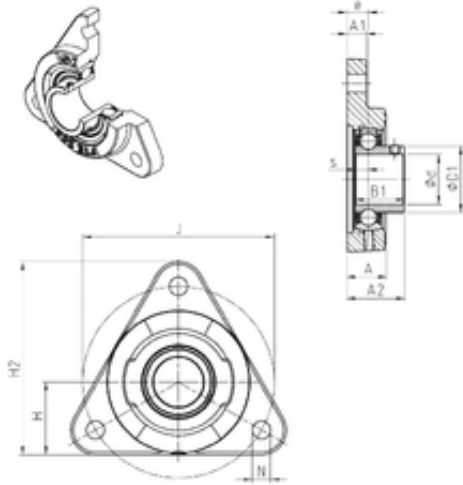




FML ske Manufacturing Co., Ltd



SNR USFTE208 bearing units

Bearing No. USFTE208

Bore Diameter	40 mm
d	40 mm
e	18,8 mm
s	9 mm
A	30 mm
A1	16 mm
B1	34 mm
D1	53 mm
H	51 mm
H2	137 mm
J	140 mm
N	13,5 mm
Thread (G)	R1/8"
A2	43,8 mm
Weight	1,7 Kg
Basic dynamic load rating (C)	29,6 kN

USFTE208 Bearing 2D drawings and 3D CAD models