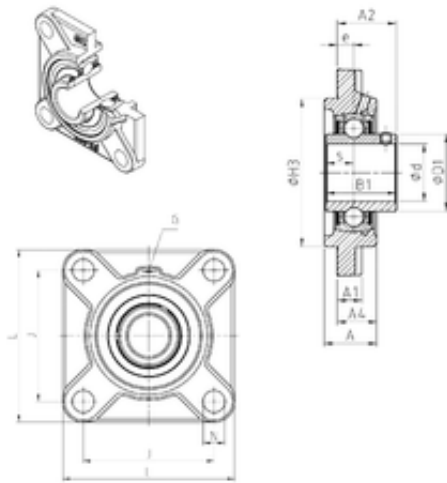




FML ske Manufacturing Co., Ltd



SNR UCFS322 bearing units

Bearing No. UCFS322

Bore Diameter	110 mm
d	110 mm
H3	300 mm
A4	71 mm
e	35 mm
s	46 mm
A	96 mm
A1	35 mm
B1	117 mm
D1	149 mm
J	266 mm
L	340 mm
N	41 mm
Thread (G)	M10x1
A2	106 mm
Weight	38,3 Kg
Basic dynamic load rating (C)	205 kN

UCFS322 Bearing 2D drawings and 3D CAD models