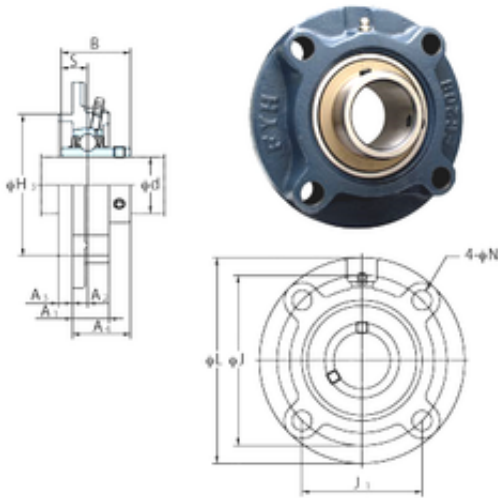


FYH UCFCX17E bearing units

Bearing No. UCFCX17E



UCFCX17E Bearing 2D drawings and 3D CAD models

Bore Diameter	85 mm
d	85 mm
H3	187,325 mm
A4	66,3 mm
A1	36 mm
B	96 mm
J	219 mm
L	260 mm
N	23 mm
S	39,7 mm
Bolt (G)	M20
A2	10 mm
A3	25 mm
J1	154,8 mm
Weight	12,9 Kg
Basic dynamic load rating (C)	96,1 kN
Basic static load rating (C0)	71,5 kN