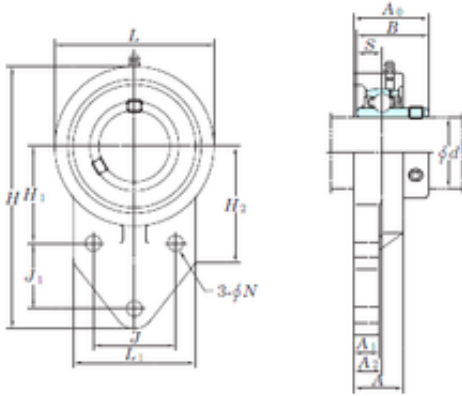


KOYO UCFB202 bearing units



Bearing No. UCFB202

Bore Diameter	15 mm
d	15 mm
A0	31,8 mm
A	24 mm
A1	13 mm
B	31 mm
H	110 mm
H1	42 mm
H2	52 mm
J	32 mm
L	62 mm
L1	52 mm
N	9,5 mm
S	12,7 mm
Bolt (G)	M8
A2	13,5 mm
J1	27 mm
Weight	0,62 Kg
Basic dynamic load rating (C)	12,8 kN
Basic static load rating (C0)	6,65 kN

UCFB202 Bearing 2D drawings and 3D CAD models