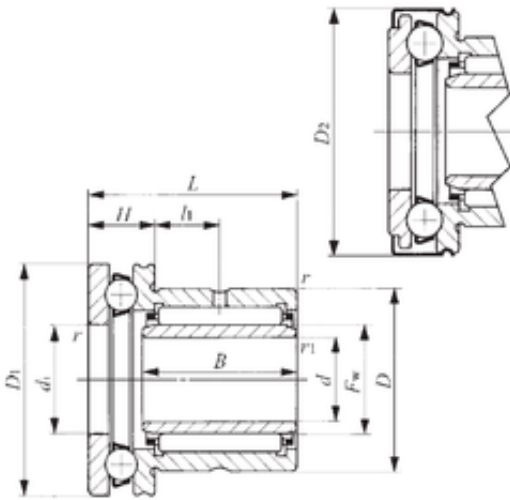




# FML ske Manufacturing Co., Ltd

## 17 mm x 30 mm x 20,5 mm IKO NAXI 1730Z complex bearings

Bearing No. NAXI 1730Z



NAXI 1730Z Bearing 2D drawings and 3D CAD models

Bore Diameter	17 mm
Outer Diameter	30 mm
d	17 mm
Fw	20 mm
D	30 mm
D1	35 mm
D2	36 mm
B	20,5 mm
d1	20 mm
r min.	0,3 mm
r1 min.	0,3 mm
H	10 mm
L	30 mm
L1	10,5 mm
da min.	29 mm
db	19 mm
Weight	0,103 Kg
Dynamic load rating radial (C)	17,6 kN
Dynamic load rating axial (C)	14,2 kN
Static load rating radial (C0)	25,4 kN
Static load rating axial (C0)	19,7 kN
Category	Bearings
Inventory	0.0
Manufacturer Name	IKO



## FML ske Manufacturing Co., Ltd

Minimum Buy Quantity	N/A
Weight / Kilogram	0
Product Group	B04144