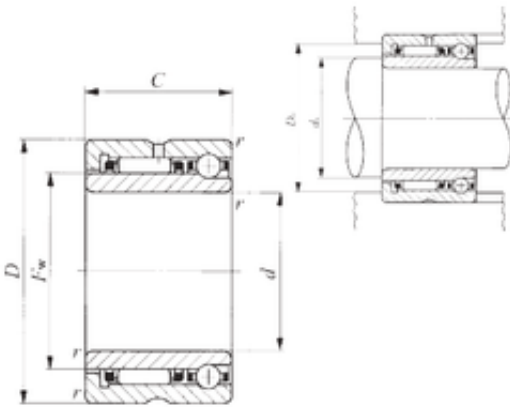




# FML ske Manufacturing Co., Ltd

## 70 mm x 100 mm x 40 mm IKO NATA 5914 complex bearings

Bearing No. NATA 5914



NATA 5914 Bearing 2D drawings and 3D CAD models

Size	70x100x40 mm
Bore Diameter	70 mm
Outer Diameter	100 mm
Width	40 mm
d	70 mm
Fw	80 mm
D	100 mm
B	40 mm
C	40 mm
r min.	1 mm
da min.	75 mm
Da max.	95 mm
Weight	1,07 Kg
Dynamic load rating radial (C)	56,4 kN
Dynamic load rating axial (C)	13,5 kN
Static load rating radial (C0)	127 kN
Static load rating axial (C0)	35 kN