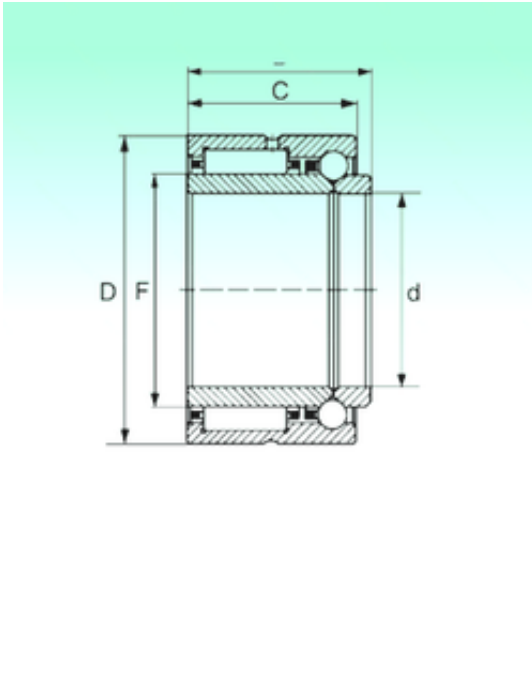




FML ske Manufacturing Co., Ltd



NKIB 5912 Bearing 2D drawings and 3D CAD models

60 mm x 85 mm x 38 mm NBS NKIB 5912
complex bearings

Bearing No. NKIB 5912

Size	60x85x38 mm
Bore Diameter	60 mm
Outer Diameter	85 mm
Width	38 mm
d	60 mm
F	68 mm
D	85 mm
B	38 mm
C	34 mm
Weight	0,595 Kg
Dynamic load rating radial (C)	57 kN
Dynamic load rating axial (C)	9,5 kN
Static load rating radial (C0)	102,6 kN
Static load rating axial (C0)	10,26 kN