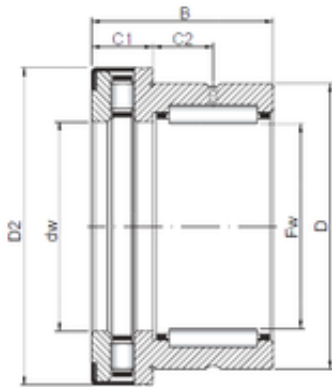




FML ske Manufacturing Co., Ltd

60 mm x 62 mm x 35 mm ISO NKXR 50 Z
complex bearings



Bearing No. NKXR 50 Z

Size	60x62x35 mm
Bore Diameter	60 mm
Outer Diameter	62 mm
Width	35 mm
d	60 mm
Fw	50 mm
D	62 mm
B	35 mm
C1	14 mm
D2	71,5 mm
C2	10 mm

NKXR 50 Z Bearing 2D drawings and 3D CAD models