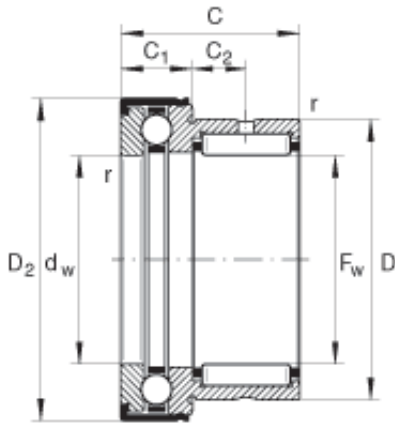




# FML ske Manufacturing Co., Ltd



NKX60-Z Bearing 2D drawings and 3D CAD models

## INA NKX60-Z complex bearings

Bearing No. NKX60-Z

Size	60x72x40 mm
Bore Diameter	60 mm
Outer Diameter	72 mm
Width	40 mm
$F_w$	60 mm
D	72 mm
C - 40 mm / Tolerance: -0,25	40 mm / Tolerance: 0,25
$C_1$ - 17 mm / Tolerance: -0,2	17 mm / Tolerance: 0,2
$C_2$	12 mm
$D_{2\max}$	86,5 mm
$d_a$	80,5 mm
$d_w$	60 mm / Tolerance: E8
$r_{a\max}$	1 mm
$r_{\min}$	1 mm
	NAXK60Z / Designation to DIN 5429
m	380 g / Weight
$C_r$	47500 N / Dynamic load rating (radial)
$C_{0r}$	90000 N / Static load rating (radial)
$C_a$	41500 N / Dynamic load rating (axial)
$C_{0a}$	113000 N / Static load rating (axial)



## FML ske Manufacturing Co., Ltd

C <sub>ur</sub>	15400 N / Fatigue limit load, radial
C <sub>ua</sub>	5400 N / Fatigue limit load, axial
n <sub>G</sub>	2800 1/min / Limiting speed
	IR50X60X25 / Suitable inner ring
Category	Thrust Roller Bearing
Inventory	0.0
Manufacturer Name	SCHAEFFLER GROUP
Minimum Buy Quantity	N/A
Weight / Kilogram	0.551
EAN	4012802701005
Product Group	B00234
Rolling Element	Combination - Needle Roller and Thrust Ball Bearing
Self Aligning	No
Component Description	Roller Assembly plus Raceways
Thrust Bearing	Yes
Single or Double Direction	Single Direction
Banded	No
Cage Material	Steel
Precision Class	ABEC 1   ISO P0
Other Features	With Grease Retaining Cap
Long Description	60MM Bore 1; 60MM Bore 2; 72MM Outside Diameter; 40MM Height; Combination - Needle Roller and Thrust Ball Bearing; Single Direction; Not Self Aligning; Not Banded; Steel Cage; ABEC 1   ISO P0; Roller
Inch - Metric	Metric



## FML ske Manufacturing Co., Ltd

Category	Thrust Roller Bearings
UNSPSC	31171537
Harmonized Tariff Code	8482.80.00.40
Noun	Bearing
Keyword String	Combination
Manufacturer URL	<a href="http://www.ina.com">http://www.ina.com</a>
Manufacturer Item Number	NKX60Z
Weight / LBS	0.794
Outside Diameter	2.835 Inch   72 Millimeter
Overall Height with Aligning Washer	0 Inch   0 Millimeter
Bore 2	2.362 Inch   60 Millimeter
Height	1.575 Inch   40 Millimeter
Bore 1	2.362 Inch   60 Millimeter