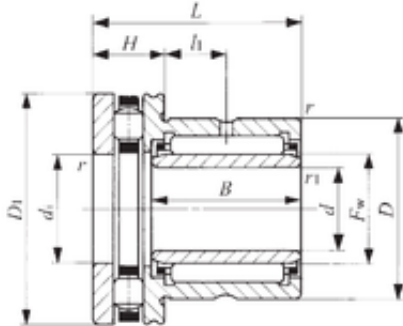




# FML ske Manufacturing Co., Ltd

## 50 mm x 72 mm x 25,5 mm IKO NBXI 5040 complex bearings



NBXI 5040 Bearing 2D drawings and 3D CAD models

Bearing No. NBXI 5040

Bore Diameter	50 mm
Outer Diameter	72 mm
d	50 mm
Fw	60 mm
D	72 mm
D1	85 mm
B	25,5 mm
d1	60 mm
r min.	1 mm
r1 min.	1 mm
H	17 mm
L	40 mm
L1	12 mm
da min.	82 mm
db	59 mm
Weight	0,666 Kg
Dynamic load rating radial (C)	47,5 kN
Dynamic load rating axial (C)	64,6 kN
Static load rating radial (C0)	103 kN
Static load rating axial (C0)	224 kN