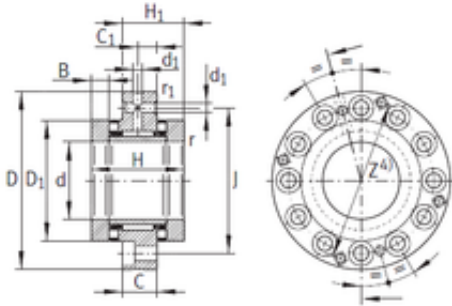




FML ske Manufacturing Co., Ltd

40 mm x 100 mm x 11 mm INA ZARF40100-TV complex bearings



Bearing No. ZARF40100-TV

ZARF40100-TV Bearing 2D drawings and 3D CAD models

Size	40x100x18 mm
Bore Diameter	40 mm
Outer Diameter	100 mm
Width	18 mm
d	40 mm
D	100 mm
C	18 mm
H	54 mm
d1	3,2 mm
r min.	0,3 mm
r1 min.	0,6 mm
B	11 mm
C1	10 mm
D1	65 mm
H1	35 mm
J	80 mm
da min.	55 mm
Da max.	66 mm
Weight	1,35 Kg
Dynamic load rating radial (C)	27,5 kN
Dynamic load rating axial (C)	59 kN
Static load rating radial (C0)	53 kN
Static load rating axial (C0)	163 kN
(Grease) Lubrication Speed	1 600 r/min



FML ske Manufacturing Co., Ltd

Category	Roller Bearings
Inventory	0.0
Manufacturer Name	SCHAEFFLER GROUP
Minimum Buy Quantity	N/A
Weight / Kilogram	0
EAN	4012802078213
Product Group	B04144