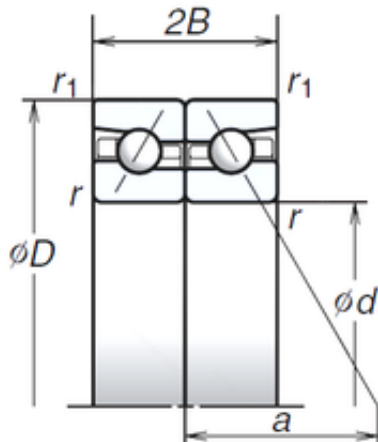




FML ske Manufacturing Co., Ltd

110 mm x 170 mm x 27 mm NSK 110BAR10S
angular contact ball bearings



Bearing No. 110BAR10S

Size	110x170x27 mm
Bore Diameter	110 mm
Outer Diameter	170 mm
Width	27 mm
d	110 mm
D	170 mm
B	27 mm
C	27 mm
Angle ()	30 °
a	53,9 mm
r min.	2 mm
r1 min.	1 mm
2B	54 mm
Weight	2,11 Kg
Basic dynamic load rating (C)	55,5 kN
Basic static load rating (C0)	131 kN
(Grease) Lubrication Speed	5 400 r/min
(Oil) Lubrication Speed	6 800 r/min

110BAR10S Bearing 2D drawings and 3D CAD models