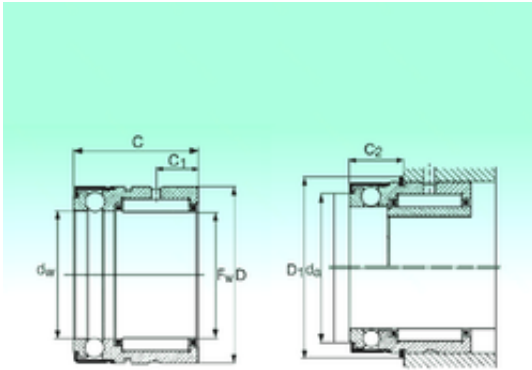




FML ske Manufacturing Co., Ltd



NX 35 Z Bearing 2D drawings and 3D CAD models

NBS NX 35 Z complex bearings

Bearing No. NX 35 Z

Size	35x47x30 mm
Bore Diameter	35 mm
Outer Diameter	47 mm
Width	30 mm
d	35 mm
Fw	0,16 mm
D	47 mm
C	30 mm
C1	10 mm
D1	50,1 mm
C2	14,2 mm
da	40,5 mm
Dynamic load rating radial (C)	23 kN
Dynamic load rating axial (C)	13 kN
Static load rating radial (C0)	40 kN
Static load rating axial (C0)	34 kN