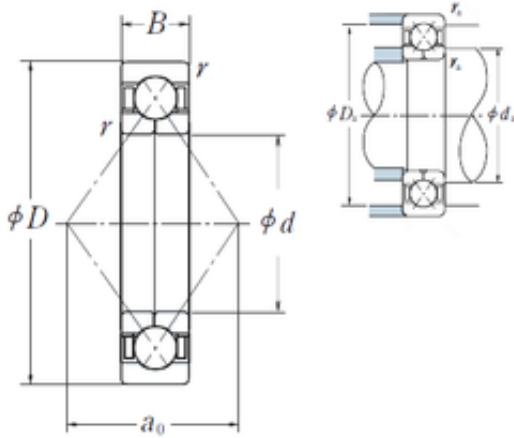




# FML ske Manufacturing Co., Ltd



95 mm x 200 mm x 45 mm NSK QJ319 angular contact ball bearings

Bearing No. QJ319

QJ319 Bearing 2D drawings and 3D CAD models

Size	95x200x45 mm
Bore Diameter	95 mm
Outer Diameter	200 mm
Width	45 mm
d	95 mm
D	200 mm
B	45 mm
C	45 mm
Angle ( ° )	35 °
a	103,3 mm
r min.	3 mm
da min.	109 mm
da max	186 mm
ra max.	2,5 mm
Weight	7,4 Kg
Basic dynamic load rating (C)	251 kN
Basic static load rating (C0)	495 kN
(Grease) Lubrication Speed	2 600 r/min
SRI	17.34
hidYobi	QJ319
LangID	1
ALP23	0
ALP22	0
D_	200
ALP21	35



## FML ske Manufacturing Co., Ltd

SREX	0.125
B_	45
hidTable	ecat_NSANGFP
Oil rpm	3600
C0r	50500
SRE	17.34
mass	7.4
GRS rpm	2600
ra	2.5
SRIX	0.125
D_a	186
Cr	25600
SRIN	0
C0	495
SREN	0
DE_	181.1
Prod_Type3	ACBB_FP_A
da	109
DA_	33.338
Z_	11
yobi	QJ319
ao	103.3
SDM_	147.5
r	3
KBRG	7764
DI_	113.738