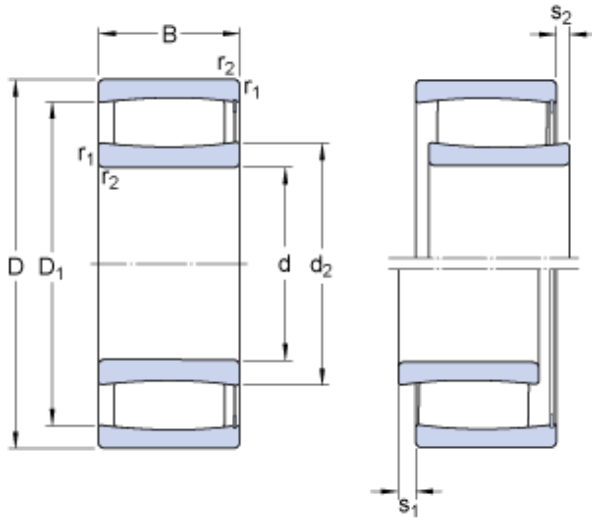




FML ske Manufacturing Co., Ltd



65 mm x 120 mm x 31 mm SKF C 2213 V cylindrical roller bearings

Bearing No. C 2213 V

C 2213 V Bearing 2D drawings and 3D CAD models

| | |
|---|-----------------|
| Size | 120x65x31 mm |
| Bore Diameter | 120 mm |
| Outer Diameter | 65 mm |
| Width | 31 mm |
| d | 65 mm |
| D | 120 mm |
| B | 31 mm |
| d ₂ | 79 mm |
| D ₁ | 106 mm |
| s ₁ | 9.6 mm |
| s ₂ | 5.3 mm |
| r _{1,2} - min. | 1.5 mm |
| d _a - min. | 74 mm |
| d _a - max. | 97 mm |
| D _a - max. | 111 mm |
| r _a - max. | 1.5 mm |
| Basic dynamic load rating - C | 204 kN |
| Basic static load rating - C ₀ | 216 kN |
| Fatigue load limit - P _u | 25.5 kN |
| Limiting speed | 2400 r/min |
| Factor - k ₁ | 0.097 |
| Factor - k ₂ | 0.127 |
| Category | Roller Bearings |
| | |



FML ske Manufacturing Co., Ltd

| | |
|----------------------------------|---------------|
| Inventory | 0.0 |
| Manufacturer Name | SKF |
| Minimum Buy Quantity | N/A |
| Weight / Kilogram | 1.476 |
| EAN | 7316570982367 |
| Product Group | B04144 |
| d_2 | 79 mm |
| D_1 | 106 mm |
| s_1 max. | 9.6 mm |
| s_2 max. | 5.3 mm |
| $r_{1,2}$ min. | 1.5 mm |
| d_a min. | 74 mm |
| d_a max. | 97 mm |
| D_a max. | 111 mm |
| r_a max. | 1.5 mm |
| Basic dynamic load rating C | 204 kN |
| Basic static load rating C_0 | 216 kN |
| Fatigue load limit P_u | 25.5 kN |
| Misalignment factor k_1 | 0.097 |
| Operating clearance factor k_2 | 0.127 |
| Mass bearing | 1.5 kg |