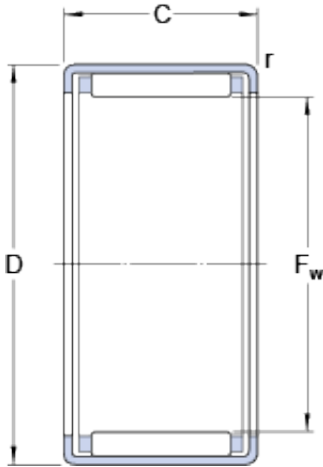




FML ske Manufacturing Co., Ltd



HK 4012 Bearing 2D drawings and 3D CAD models

SKF HK 4012 cylindrical roller bearings

Bearing No. HK 4012

Size	47x40x12 mm
Bore Diameter	47 mm
Outer Diameter	40 mm
Width	12 mm
F_w	40 mm
D	47 mm
C	12 mm
r - min.	0.8 mm
Basic dynamic load rating - C	13.4 kN
Basic static load rating - C_0	24.5 kN
Fatigue load limit - P_u	2.8 kN
Reference speed	6300 r/min
Limiting speed	7000 r/min
Mass bearing	0.03 kg
Inner ring LR series	LR 35x40x12.5
Radial shaft seal with a low cross-sectional height, single lip	G 40x47x4
Category	Roller Bearings
Inventory	0.0
Manufacturer Name	SKF
Minimum Buy Quantity	N/A
Weight / Kilogram	0.036
Product Group	B04144
bore diameter:	40 mm
static load capacity:	24.5 kN



FML ske Manufacturing Co., Ltd

outside diameter:	47 mm
bearing material:	Steel
overall width:	12 mm
maximum rpm:	7000 RPM
drawn cup type:	Open Ends
precision rating:	Not Rated
closure type:	Open
series:	HK
number of rows:	One
lubrication hole type:	No Hole
operating temperature range:	Maximum of +285 ° F
compatible inner ring:	LR35x40x12.5
dynamic load capacity:	13.4 kN
F_w	40 mm
r min.	0.8 mm
Basic dynamic load rating C	13.4 kN
Basic static load rating C_0	24.5 kN
Fatigue load limit P_u	2.8 kN
Designation bearing	HK 4012